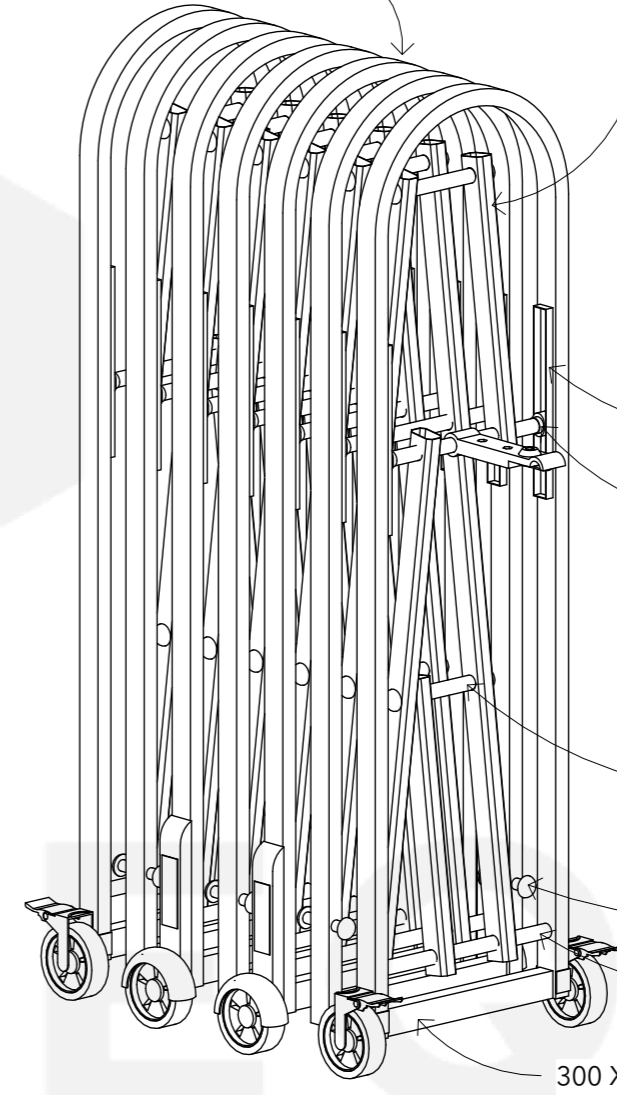
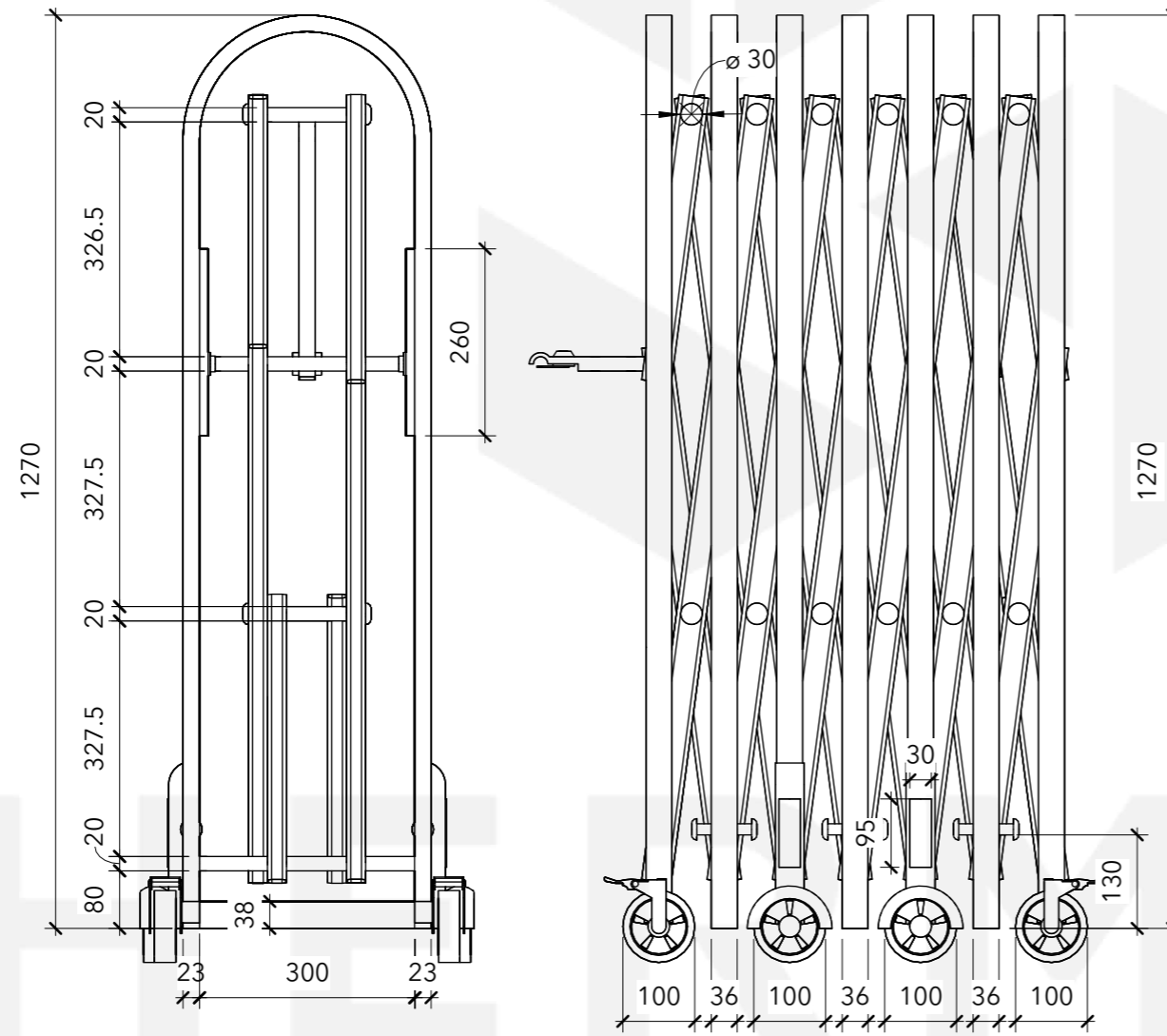


Ø15.5 X 20 SOFT STOPPER BAR
(RM EG00008)

41.5 X 26.5 X 400 SMALL EXPANDER
(RM EG00009)

1270 X 345 X 36 U FRAME
(RM EG00001)



General Comments

See Our Associated Products:
[Instagate - Expanding Barrier](#)
[Titan Expandable Safety Barrier](#)
[Titan Expandable Safety Barrier Y&B](#)

Materials

Powder Coated Steel

260 X 25 X 12 SLIDER BOX
(RM EG00002)

32 X 23 X 22 SLIDER
(RM EG00004)

110 SMALL PLASTIC BAR
(RM EG00005)

Ø30 X 7.5 CAP
(RM EG00006)

300 PLASTIC BAR
(RM EG00003)

300 X 37.5 X 25 BOTTOM FRAME
(RM EG00007)

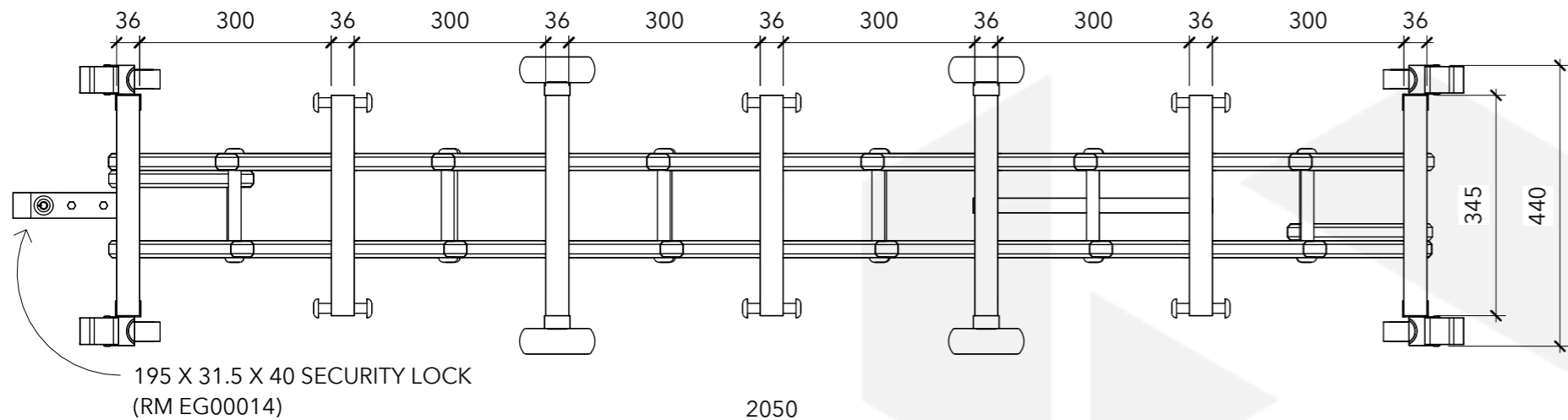


Email: sales@hermeq.com

No.	Description	Date

Item	Component Description	Quantity
RM EG00001	G1MM - 1270MM X 345MM X 36MM U FRAME	7
RM EG00002	G1MM - 260MM X 25MM X 12MM SLIDER BOX	14
RM EG00003	GØ20MM - 300MM PLASTIC BAR	14
RM EG00004	32MM X 23MM X 22MM SLIDER	14
RM EG00005	GØ20MM - 110MM SMALL PLASTIC BAR	12
RM EG00006	Ø30MM X 7.5MM CAP	36
RM EG00007	G1MM - 300MM X 37.5MM X 25MM BOTTOM FRAME	7
RM EG00008	G1MM - Ø15.5MM X 20MM SOFT STOPPER BAR	12
RM EG00009	G1MM - 41.5MM X 26.5MM X 400MM SMALL EXPANDER	4
LIST CONTINUES ON NEXT PAGE		

EXPANDABLE SAFE GATE - 1300MM			
Weight	N/A	Serial Number	Revision
Date	08/08/2023	EG9920	
Drawn by	JT		
Checked by	Checker	Scale	1 : 10 @A3



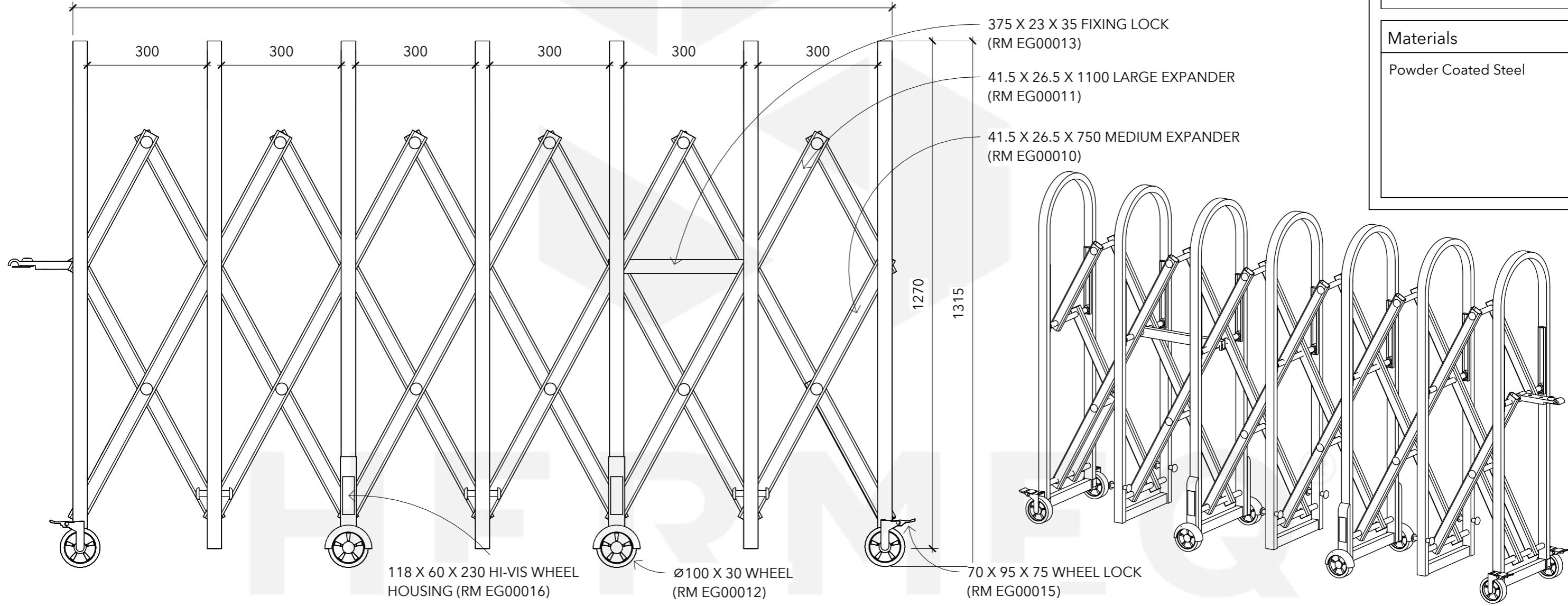
RETRACTED LENGTH = 380MM
EXTENDED LENGTH = 2050MM

General Comments

See Our Associated Products:
[Instagate - Expanding Barrier](#)
[Titan Expandable Safety Barrier](#)
[Titan Expandable Safety Barrier Y&B](#)

Materials

Powder Coated Steel



No.	Description	Date

Item	Component Description	Quantity
RM EG00010	G1MM - 41.5MM X 26.5MM X 750MM MEDIUM EXPANDER	2
RM EG00011	G1MM - 41.5MM X 26.5MM X 1100MM LARGE EXPANDER	10
RM EG00012	Ø100MM X 30MM WHEEL	8
RM EG00013	G1MM - 375MM X 23MM X 35MM FIXING LOCK	1
RM EG00014	195MM X 31.5MM X 40MM SECURITY LOCK	1
RM EG00015	G1.8MM - 70MM X 95MM X 75MM WHEEL LOCK	4
RM EG00016	118MM X 60MM X 230MM HI-VIS WHEEL HOUSING	4
	END OF LIST	

EXPANDABLE SAFE GATE - 1300MM			
Weight	N/A	Serial Number	Revision
Date	08/08/2023	EG9920 EXTENDED	
Drawn by	JT		
Checked by	Checker	Scale	1 : 10 @A3