

General Comments

See Our Associated Accessories:

[KKD Driving Cap](#)

[Pitching Shackles](#)

[Trench Sheet Extractor](#)

See Our Associated Products:

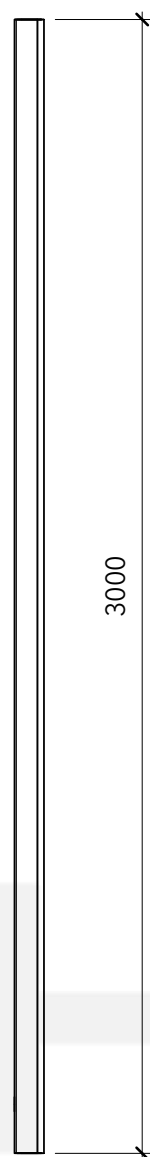
[Sheet Piles - L8](#)

[Trench Sheets - KKD 600/8](#)

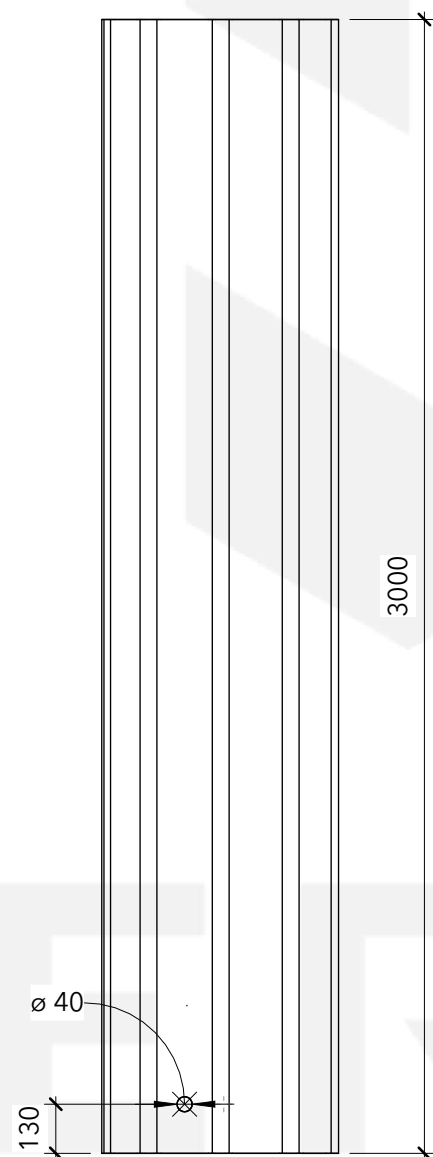
[Trench Sheets - Standard Lap](#)

Materials

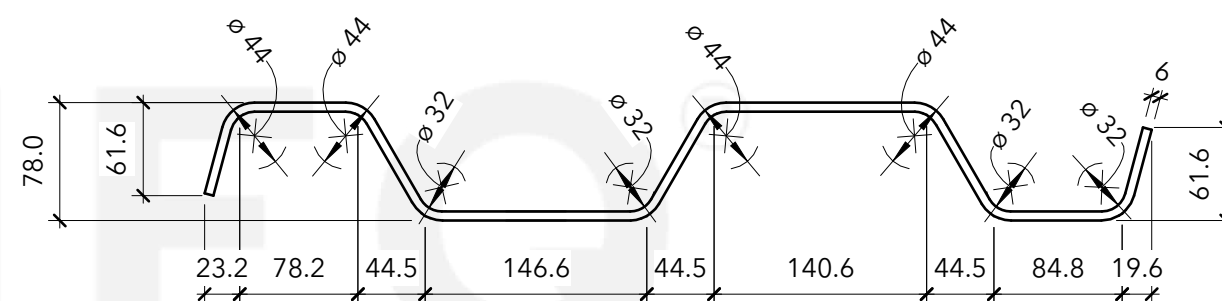
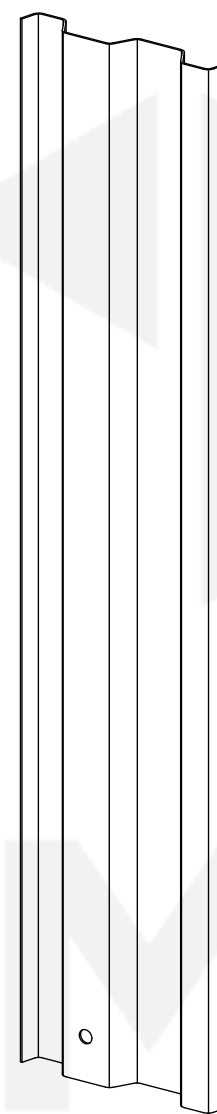
Mild Steel - Grade S275



SCALE 1:20



SCALE 1:20



SCALE 1:5



HERMEQ
Email: sales@hermeq.com

No.	Description	Date	Item	Component Description	Quantity

TRENCH SHEET - KKD 600/6 - 3000MM			
Weight	112.5KG	Serial Number	Revision
Date	25/09/2023	TR1506	
Drawn by	JT		
Checked by	Checker	Scale	As indicated @A3