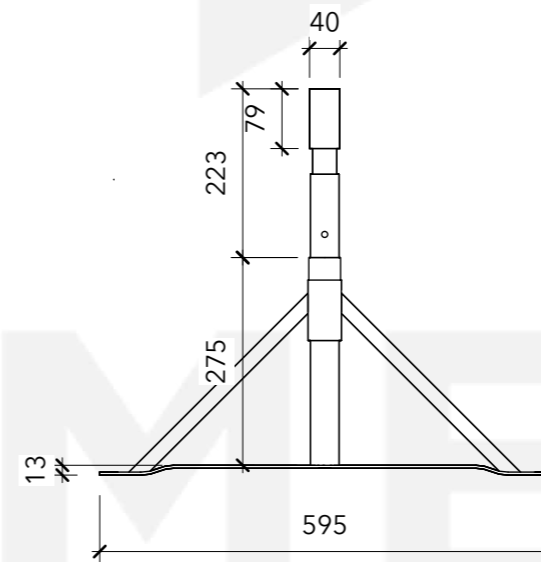
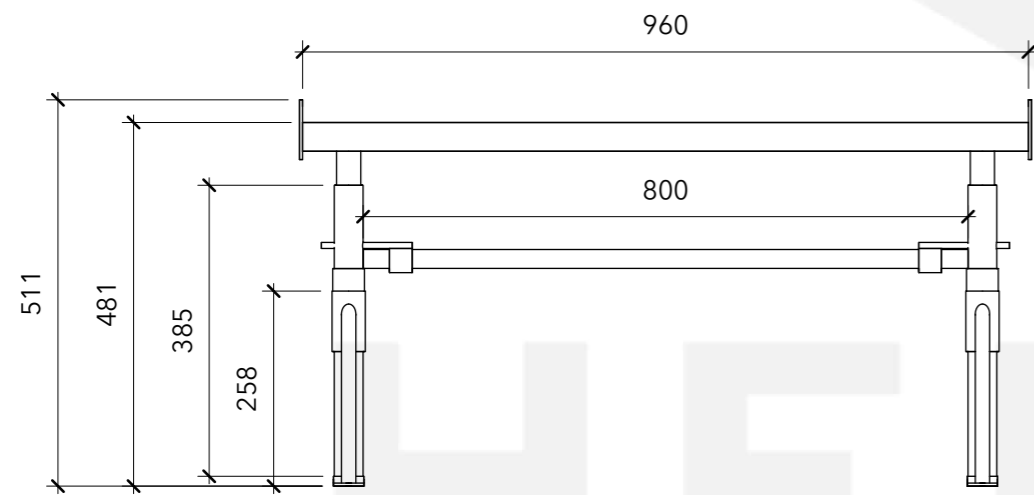
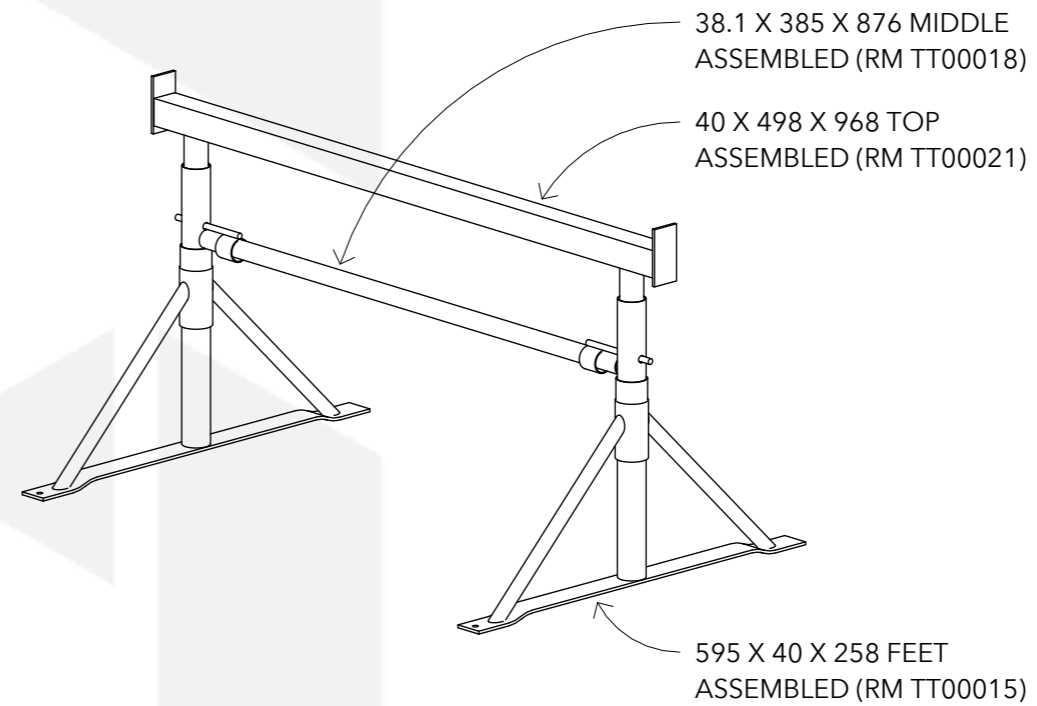
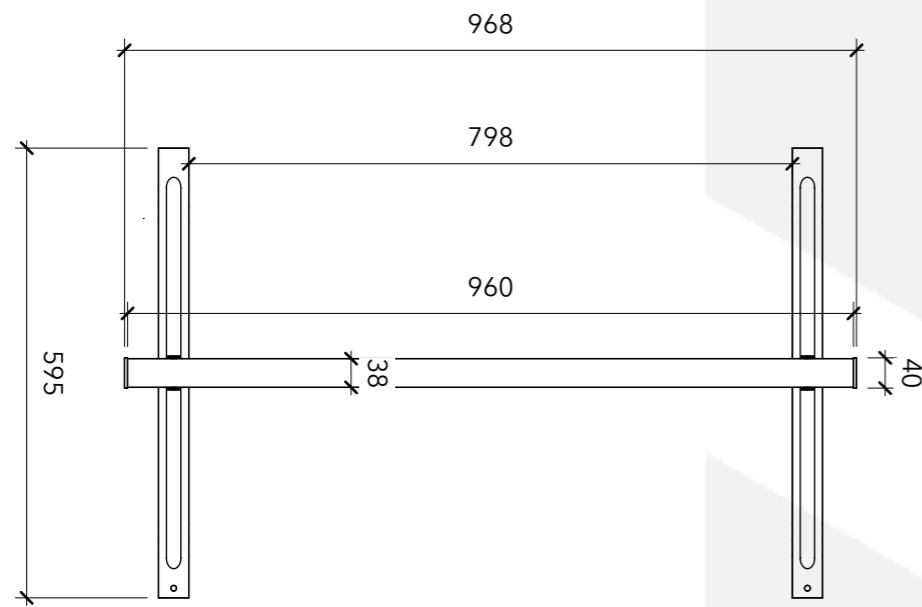


General Comments

Materials

Pre-Galvanised Steel  
40-50 G/M2 Zinc Coverage



| No. | Description | Date |
|-----|-------------|------|
|     |             |      |
|     |             |      |
|     |             |      |
|     |             |      |
|     |             |      |

| Item       | Component Description                   | Quantity |
|------------|---|----------|
| RM TT00015 | 595MM X 40MM X 258MM FEET ASSEMBLED     | 2        |
| RM TT00018 | 38.1MM X 385MM X 876MM MIDDLE ASSEMBLED | 1        |
| RM TT00021 | 40MM X 498MM X 968MM TOP ASSEMBLED      | 1        |
|            |   |          |
|            |   |          |
|            |   |          |

| SIZE 1 - BUILDERS TRESTLE TABLE |            |               |            |
|---------------------------------|------------|---------------|------------|
| Weight                          | N/A        | Serial Number | Revision   |
| Date                            | 11/01/2023 | TT3074        |            |
| Drawn by                        | JT         |               |            |
| Checked by                      | Checker    | Scale         | 1 : 10 @A3 |